

SYNCHRONIZED INGROUND TELESCOPIC JACK - 4 STAGES



CUSTOMER'S INFORMATION:

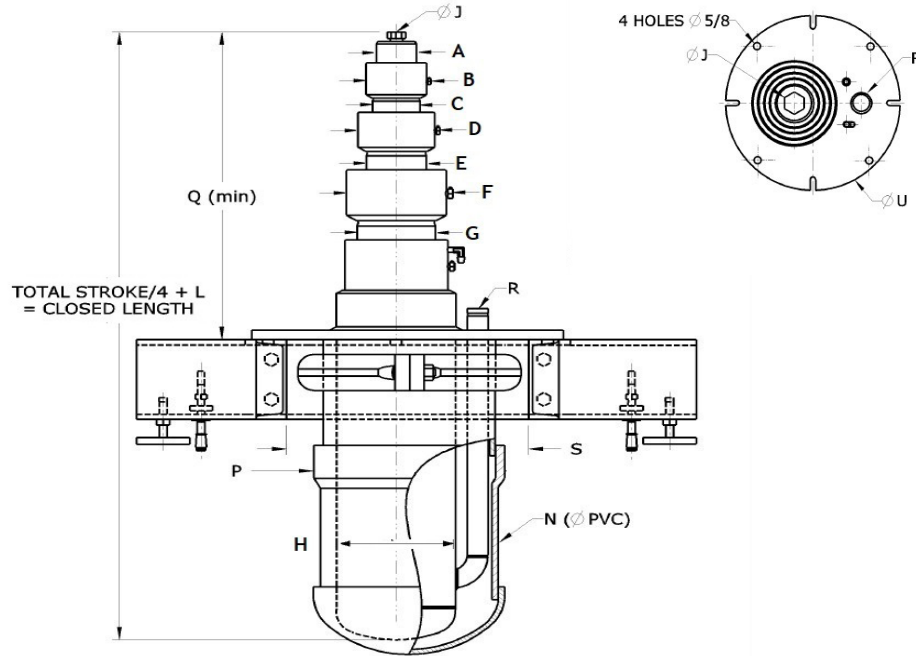
COMPANY NAME : _____

TEL : _____

DATE : _____

EMAIL : _____

PROJECT/REFERENCE : _____



JACK DATA :

Capacity (Pound) : _____ Car Weight (Pound) : _____

Speed (Ft/Min) : _____ Travel (In) : _____

Twin Single New
 Vic NPT Male NPT Female

Existing :

Ø PISTON (A) _____

Ø CASING (E) _____

Ø OIL INLET _____

Ø GPM _____

Static Pressure (PSI) _____

Rupture Valve : Yes No

NPT VIC

Buffer & Springs : Yes No

New Pit Channel : Yes No

Follower Guide

POWER UNIT DATA :

TYPE : DRY SUBMERSIBLE

START : 80 120

MOTOR VOLTAGE : 220/1/60 208/3/60 230/3/60
 460/3/60 575/3/60 OTHER : _____

OPTIONAL ACCESSORIES DESIRED :

- Ball valve
- Thermal block
- Pressure negative switch
- Insulating coupling
- Line strainer
- Oil heater
- Oil cooler
- Thermistor
- Drip pan
- Scavenger pump
- Temperature regulator
- Controller mount
- Anti-vibration pad

OTHER : _____

A	B	C	D	E	F	G	H	J	L	N	P	Q	R	S	U
Ø PISTON	Ø HEAD	Ø PISTON	Ø HEAD	Ø PISTON	Ø HEAD	Ø PISTON	Ø CASING	Ø BOLT	DEAD LENGTH (IN)	Ø PVC	Ø PVC RING	SUPPORT POSITION	Ø OIL INLET	PIT CHANNEL OPENING	SUPPORT
1 1/2	3	2	4	3	5 1/2	4 1/2	4 1/2	1/2 NC	34 1/2	13 5/8	7 1/4	22	3/4 NPT	20	23 3/4
1 3/4	4	2 3/4	5	3 3/4	6 1/2	5 1/2	5 1/2	3/4 NC	37	13 5/8	11 1/2	23 1/4	3/4 NPT	20	23 3/4
2	4	2 7/8	5 1/2	4 1/4	7 1/2	6 1/2	6	3/4 NC	41	17	13 5/8	24	3/4 NPT	23	26 3/4
2 SP	4 1/2	3 1/2	5 1/2	4 1/2	7 1/2	6 1/2	6 1/2	3/4 NC	41	17	13 5/8	24	3/4 NPT	23	26 3/4
2 1/2	5	3 3/4	6 1/2	5 3/8	7 3/8	7 1/2	7 1/2	1 NC	45	17	17	25 3/4	2 VIC	23	26 3/4
3	5	4	6 1/2	5 1/2	8	8	8	1 NC	46	19 1/4	17	26	2 VIC	28	32
3 1/2	6	4 7/8	7 1/2	6 3/4	10	10	10	1 1/4 NC	48	20 1/4	17	25 3/4	2 VIC	28	32
4 1/2	7	6	9 1/2	8	12	11 3/4	12	1 1/4 NC	50	25 1/2	20 1/4	26	2 VIC	32	36

STANDARD BOT AND TOT	0/25 FEET/MINS		26/50 FEET/MINS		51/75 FEET/MINS		76/100 FEET/MINS		101/125 FEET/MINS		126/150 FEET/MINS		151/200 FEET/MINS	
	BOT	TOT	BOT	TOT	BOT	TOT	BOT	TOT	BOT	TOT	BOT	TOT	BOT	TOT
TELESCOPIC 4 STAGES														
RECOMMENDED VALUE	6"	12"	8"	12"	10"	16"	10"	16"	10"	16"	10"	18"	12"	24"
MINIMUM VALUE	4"	8"	4"	8"	6"	10"	8"	12"	8"	12"	8"	12"	10"	16"

IMPORTANT :

BOT : _____ TOT : _____

NOTES